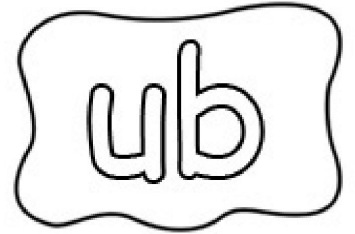



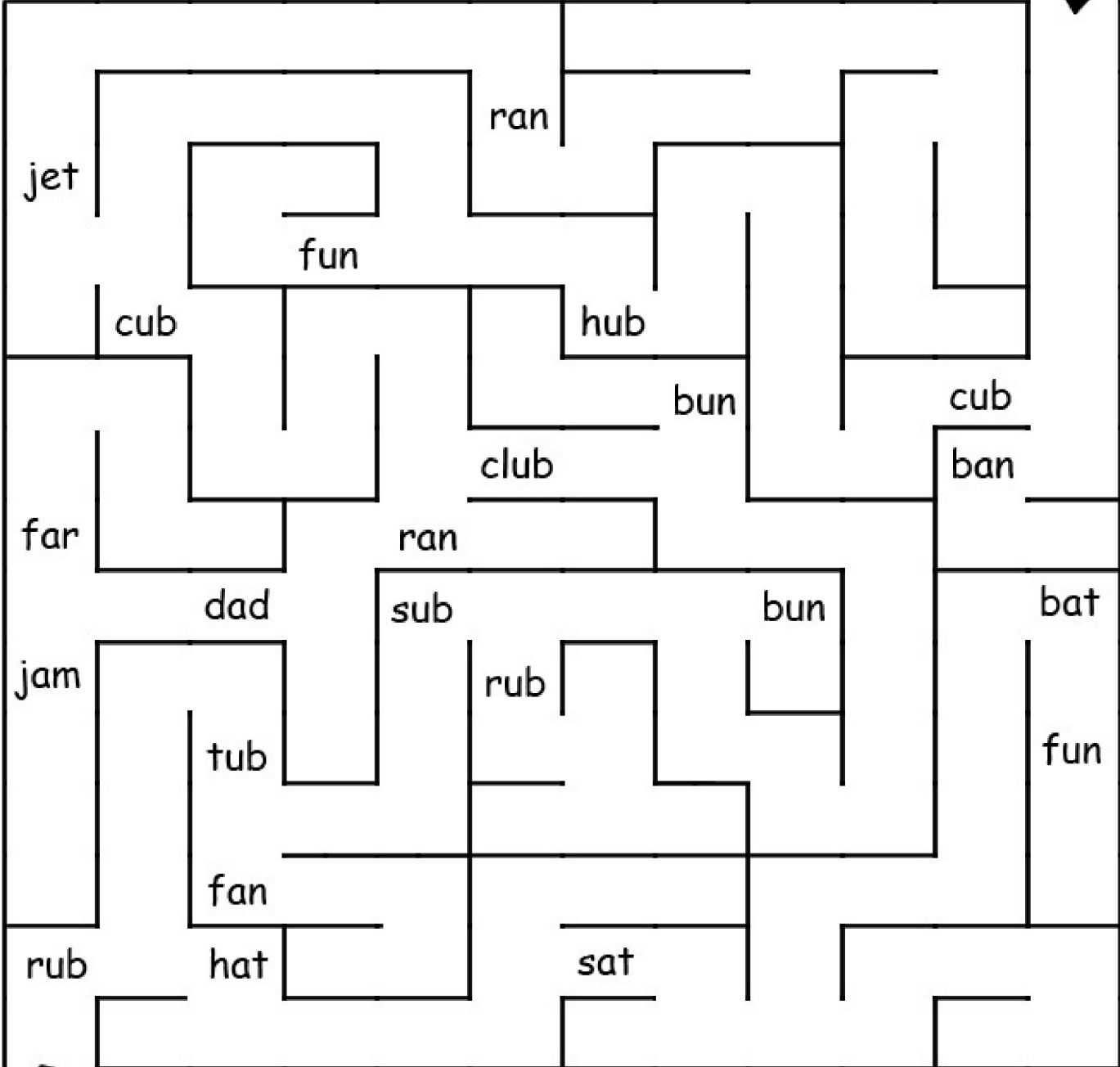
Name: _____



Word Family Maze

Follow the path of the family words to get to the end of the maze.

start 



finish 